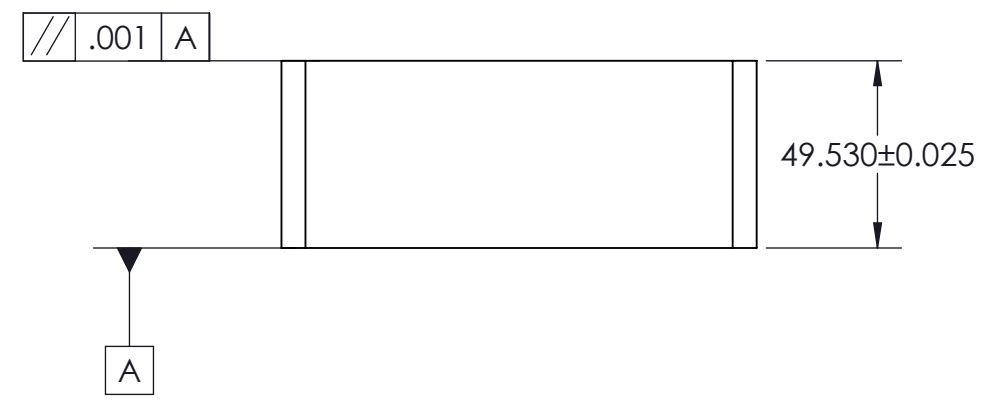
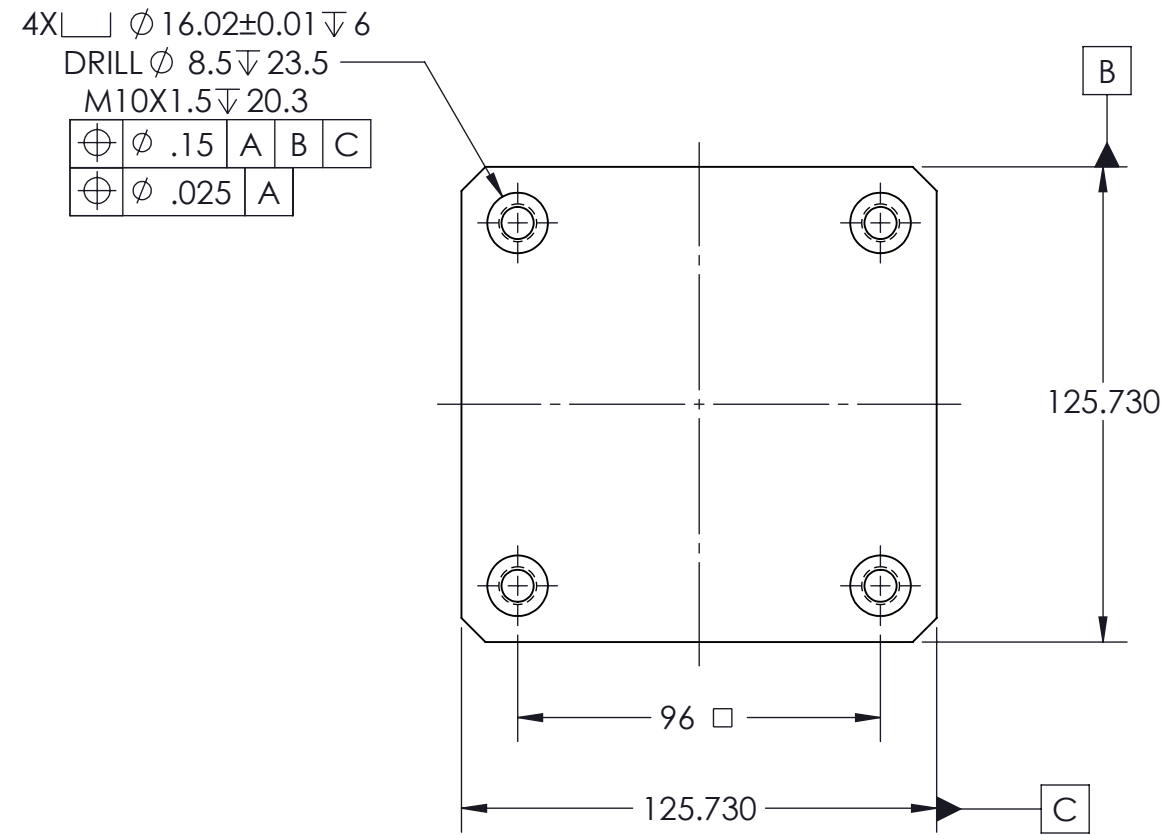
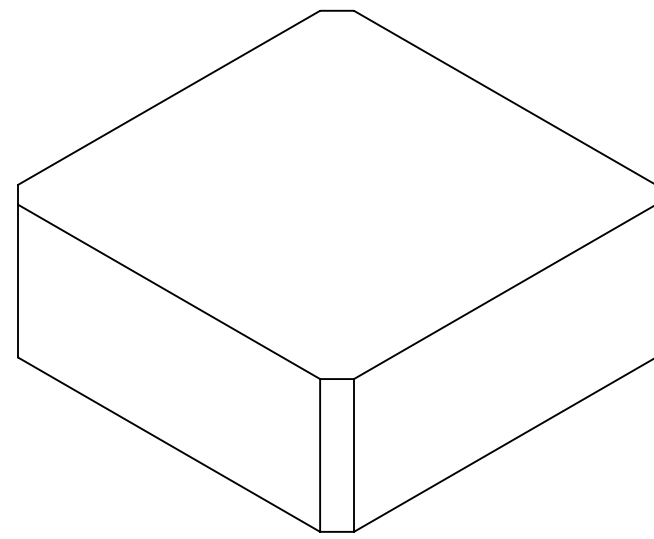


R96-BLANK



MILLIMETER DRAWN IN ACCORDANCE WITH ASME Y14.5-2009 PROPRIETARY AND CONFIDENTIAL THE INFORMATION CONTAINED IN THIS DRAWING IS THE SOLE PROPERTY OF FIFTH AXIS, INC. ANY REPRODUCTION IN PART OR AS A WHOLE WITHOUT THE WRITTEN PERMISSION OF FIFTH AXIS, INC. IS PROHIBITED.	TOLERANCES UNLESS OTHERWISE SPECIFIED X \pm 1.0 .X \pm 0.3 ANGLULAR \pm 0.5° .XX \pm 0.13	WWW.FIFTHAXIS.COM 7140 ENGINEER ROAD SAN DIEGO, CA 92111 P (858) 505-0432 F (858) 505-9344	
	THRID ANGLE PROJCTION 		DESCRIPTION ROCKLOCK™ 96MM BLANK
SIZE PART NO. B R96-B	WEIGHT: 4.58	REV A	
DO NOT SCALE DRAWING		SCALE 1:2	SHEET 1 OF 1